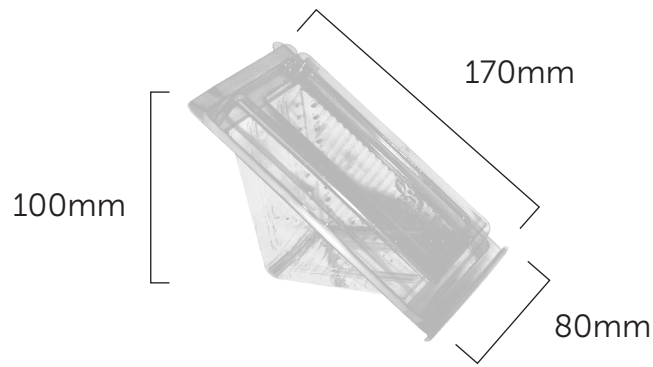




PLA Sandwich Wedge – Two Slice

SKU:	BDG0079C BDG0079P
UNIT WEIGHT:	10g
COMPOSITION:	Compostable PLA made from corn starch
FEATURES:	<ul style="list-style-type: none"> • Clear • Light weight • Only suitable for cold food • 100% biodegradable & compostable • 100% renewable
CARTON WEIGHT:	6.3kg
CARTON SIZE:	45 x 43 x 35cm
PACKED:	Carton - 500 Units Pack - 125 Units
STORAGE AND TRANSPORT:	Pack to be stored in dry area at room temperature; elevated off the ground, in a well ventilated area away from direct sunlight. Note that this product is heat sensitive above 40°C, so temperature below this threshold to be maintained during transportation and storage.
DISPOSAL INSTRUCTION:	This product is classified as organic waste but should be composted in industrial compost facilities as it needs higher temperatures to biodegrade. PLA is recyclable, however there are currently no PLA recyclers in SA
FOOD SAFETY CERTIFICATION:	Food grade
COMPOSTABILITY CERTIFICATION:	Certified compostable according to EN 13432



🏠 9A Horwood Street
Edenvale
Gauteng 1609

✉ salesjhb@greenhome.co.za

☎ +27 (11) 453 2286



www.greenhome.co.za

🏠 Unit 24 Plantation Centre
Plantation Road, Ottery
Cape Town 7808

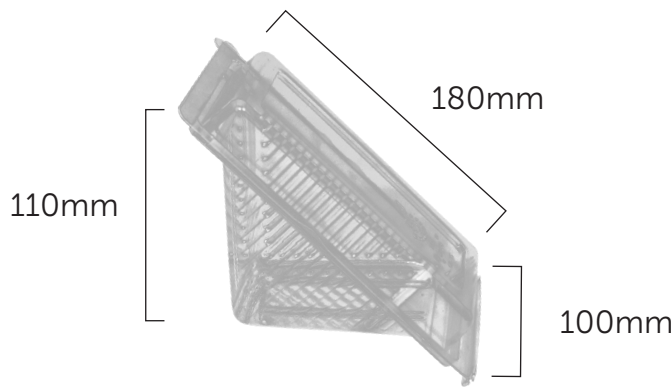
✉ salesct@greenhome.co.za

☎ +27 (21) 762 6033



PLA Sandwich Wedge – Four Slice

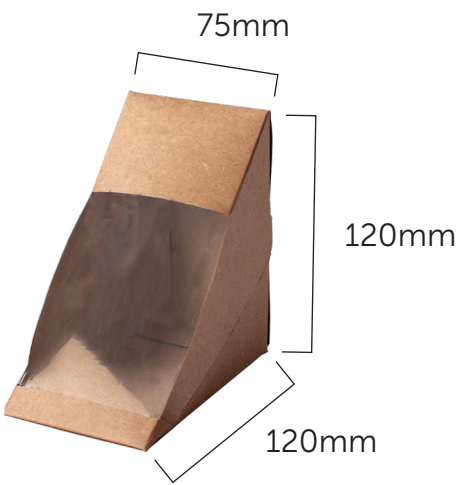
SKU:	BDG0004C BDG0004P
UNIT WEIGHT:	14g
COMPOSITION:	Compostable PLA made from corn starch
FEATURES:	<ul style="list-style-type: none"> • Clear • Light weight • Only suitable for cold food • 100% biodegradable & compostable • 100% renewable
CARTON WEIGHT:	8.2kg
CARTON SIZE:	49 x 36 x 42cm
PACKED:	Carton - 500 Units Pack - 125 Units
STORAGE AND TRANSPORT:	Pack to be stored in dry area at room temperature; elevated off the ground, in a well ventilated area away from direct sunlight. Note that this product is heat sensitive above 40°C, so temperature below this threshold to be maintained during transportation and storage.
DISPOSAL INSTRUCTION:	This product is classified as organic waste but should be composted in industrial compost facilities as it needs higher temperatures to biodegrade. PLA is recyclable, however there are currently no PLA recyclers in SA
FOOD SAFETY CERTIFICATION:	Food grade
COMPOSTABILITY CERTIFICATION:	Certified compostable according to EN 13432





Kraft Sandwich Wedge with PLA Window

SKU:	KSW001C
UNIT WEIGHT:	15g
COMPOSITION:	Forest Stewardship Council (FSC) certified Kraft paper with a window made from compostable corn starch-based PLA
FEATURES:	<ul style="list-style-type: none"> • For cold foods only, heat sensitive above 40° • Oil & water resistant • Easy view window • 100% biodegradable & compostable • 100% renewable • Recyclable
CARTON WEIGHT:	0.8kg
CARTON SIZE:	38 x 21 x 5cm
PACKED:	Carton - 50 Units
STORAGE AND TRANSPORT:	Pack to be stored in dry area at room temperature; elevated off the ground, in a well ventilated area away from direct sunlight.
DISPOSAL INSTRUCTION:	Kraft paper is recyclable and compostable in home and commercial composting facilities. PLA window is compostable in commercial composting facilities.
FOOD SAFETY CERTIFICATION:	Food grade
COMPOSTABILITY CERTIFICATION:	PLA window certified compostable according to EN 13432



🏠 9A Horwood Street
Edenvale
Gauteng 1609

✉ salesjhb@greenhome.co.za

☎ +27 (11) 453 2286



www.greenhome.co.za

🏠 Unit 24 Plantation Centre
Plantation Road, Ottery
Cape Town 7808

✉ salesct@greenhome.co.za

☎ +27 (21) 762 6033