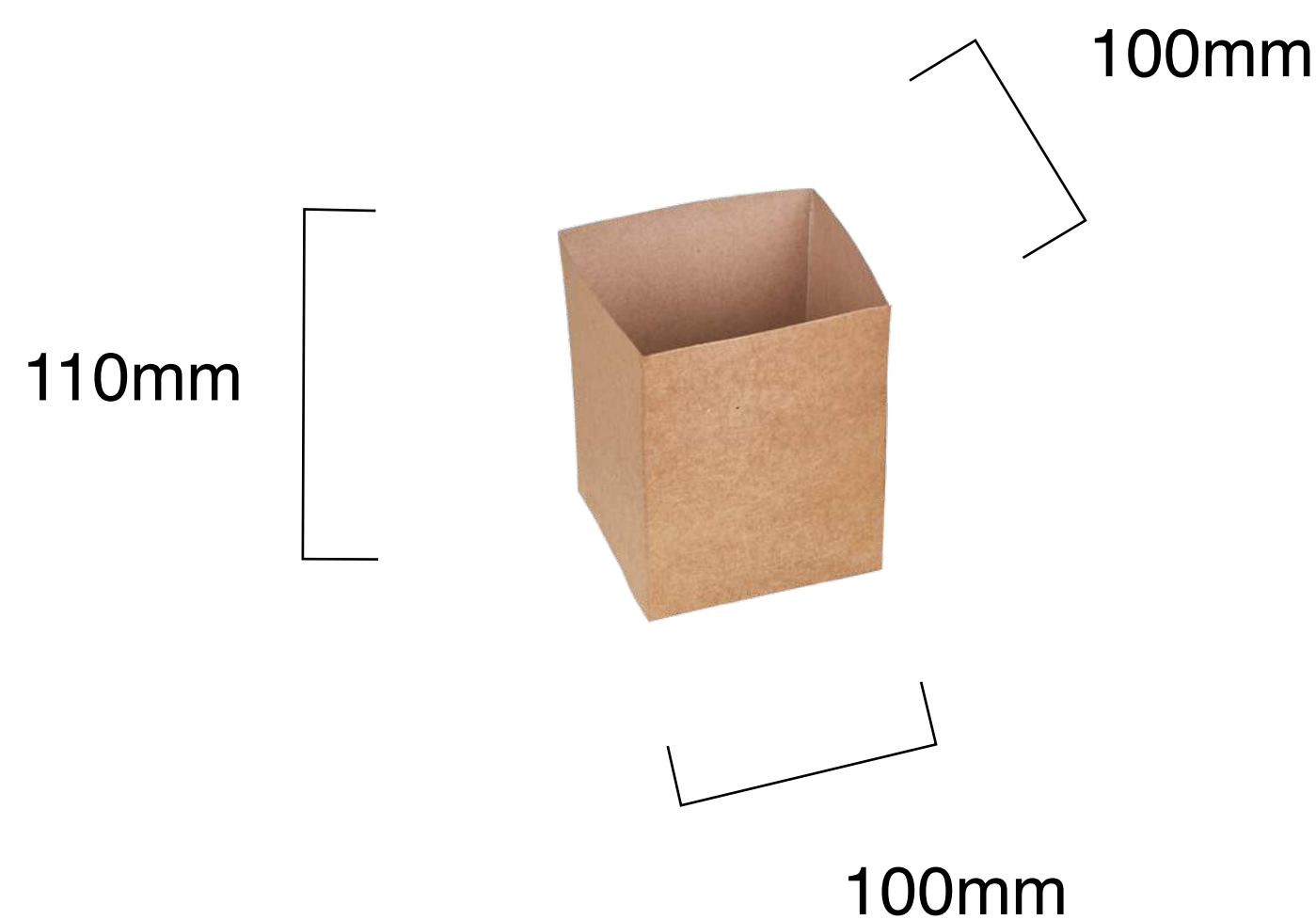




Small Kraft Popcorn Box

SKU:	KPB500C KPB500P
UNIT WEIGHT:	18g
COMPOSITION:	Made from sustainably sourced FSC certified unbleached Kraft paper, including 15% recycled content. Coated with a natural clay and hardwood fibre mixture which gives an oil and water resistant finish.
FEATURES:	<ul style="list-style-type: none"> • Oil & water resistant • Microwave safe and freezer friendly • Compostable in a home or commercial composting facility or worm farm • Recyclable if free of food residues / grease • Plant-based and renewable • These boxes come flat packed and are very easy to store • Made locally in South Africa
CARTON WEIGHT:	4.7kg
CARTON SIZE:	24cm (l) x 18cm (w) x 18cm (h)
PACKED:	Carton - 250 Units Pack - 25 Units
STORAGE AND TRANSPORT:	Pack to be stored in a dry area at room temperature; elevated off the ground in a well-ventilated area away from direct sunlight.
DISPOSAL INSTRUCTION:	This product is classified as organic waste and compostable in home and commercial composting facilities and worm farms. Recyclable if free of food residues and grease.
FOOD SAFETY CERTIFICATION:	Food grade
COMPOSTABILITY CERTIFICATION:	Made from plant based materials. Will compost in approximately 4 - 12 weeks, depending on conditions.



100% COMPOSTABLE FOOD PACKAGING

 Johannesburg Office
 124 Koornhof Road
 Meadowdale
 1609

 info@greenhome.co.za

 +27 11 453 2286

@GREENHOMESA

www.greenhome.co.za

 Cape Town Office
 Corner Borchers Quarry
 & Bahrain Drive
 Airport Industria, 7490

 info@greenhome.co.za

 +27 21 762 6033