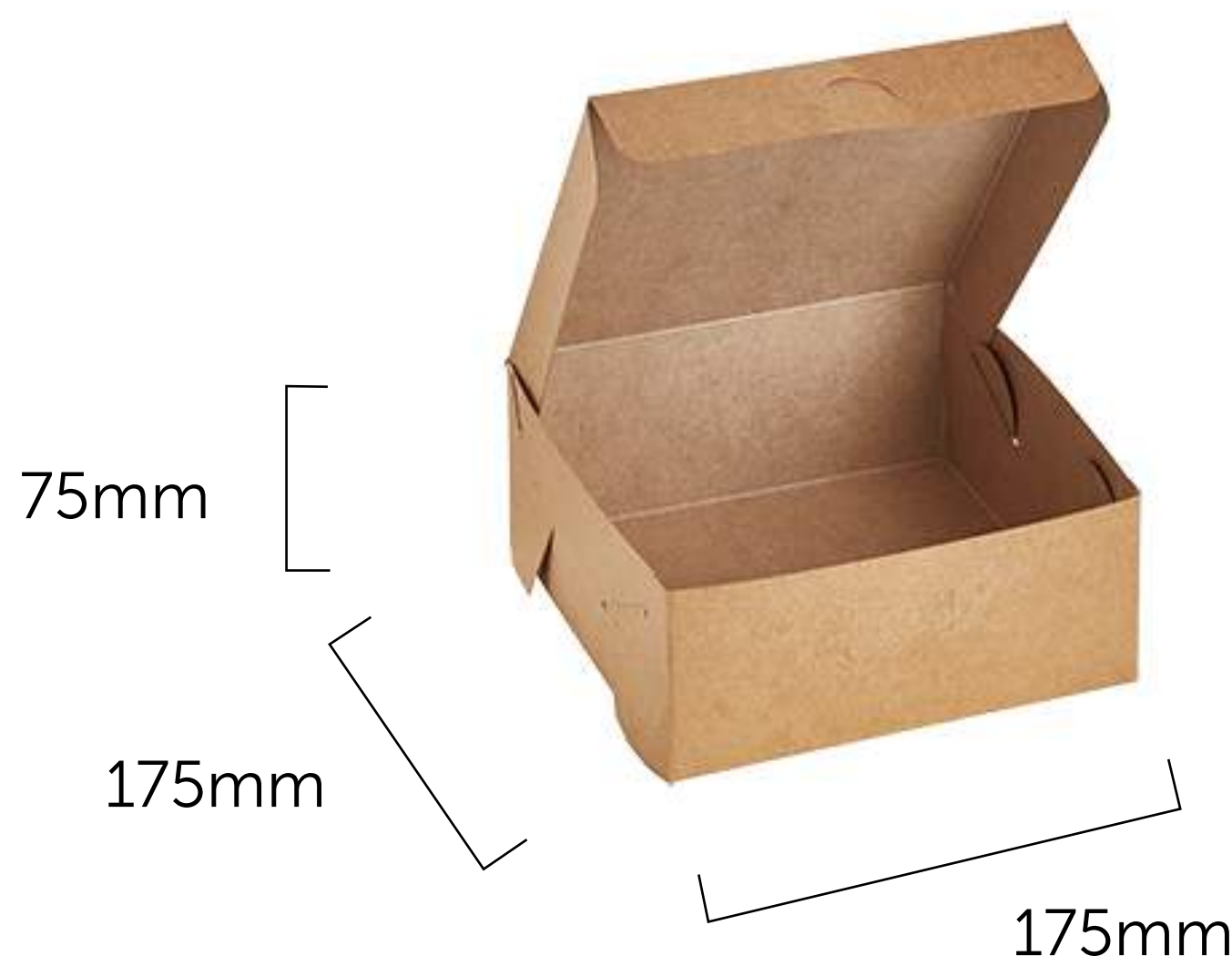




Medium Kraft Cake Box

100% COMPOSTABLE FOOD PACKAGING

SKU:	KCB507P KCB507C
UNIT WEIGHT:	45g
COMPOSITION:	Made from sustainably sourced certified unbleached Kraft paper, including 15% recycled content. Coated with a natural clay and hardwood fibre mixture to provide a biodegradable oil and water resistant finish.
FEATURES:	<ul style="list-style-type: none"> • Oil & water resistant • Microwave safe • Sturdy • These boxes come flat packed and are very easy to store – folded construction required before use • 100% biodegradable and compostable • Recyclable • Plant-based and renewable • Made locally in South Africa
CARTON WEIGHT:	1.3kg
CARTON SIZE:	53cm (l) x 33cm (w) x 1cm (h)
PACKED:	Pack - 25 Units Carton - 250 Units
STORAGE AND TRANSPORT:	Pack to be stored in a dry area at room temperature; elevated off the ground in a well-ventilated area away from direct sunlight.
DISPOSAL INSTRUCTION:	This product is classified as organic waste and is fully compostable in home and commercial composting facilities and worm farms. Recyclable if reasonably free of food residues and grease.
FOOD SAFETY CERTIFICATION:	Food grade
COMPOSTABILITY CERTIFICATION:	Made from 100% plant based materials. Will compost in approximately 4 - 12 weeks, depending on conditions.



Johannesburg Branch

44 Forge Road
Spartan, Kempton Park
1620

info@greenhome.co.za

+27 11 453 2286



@GREENHOMESA
greenhome.co.za

Cape Town Branch

Corner Borchers Quarry
& Bahrain Drive
Airport Industria, 7490

info@greenhome.co.za

+27 21 762 6033