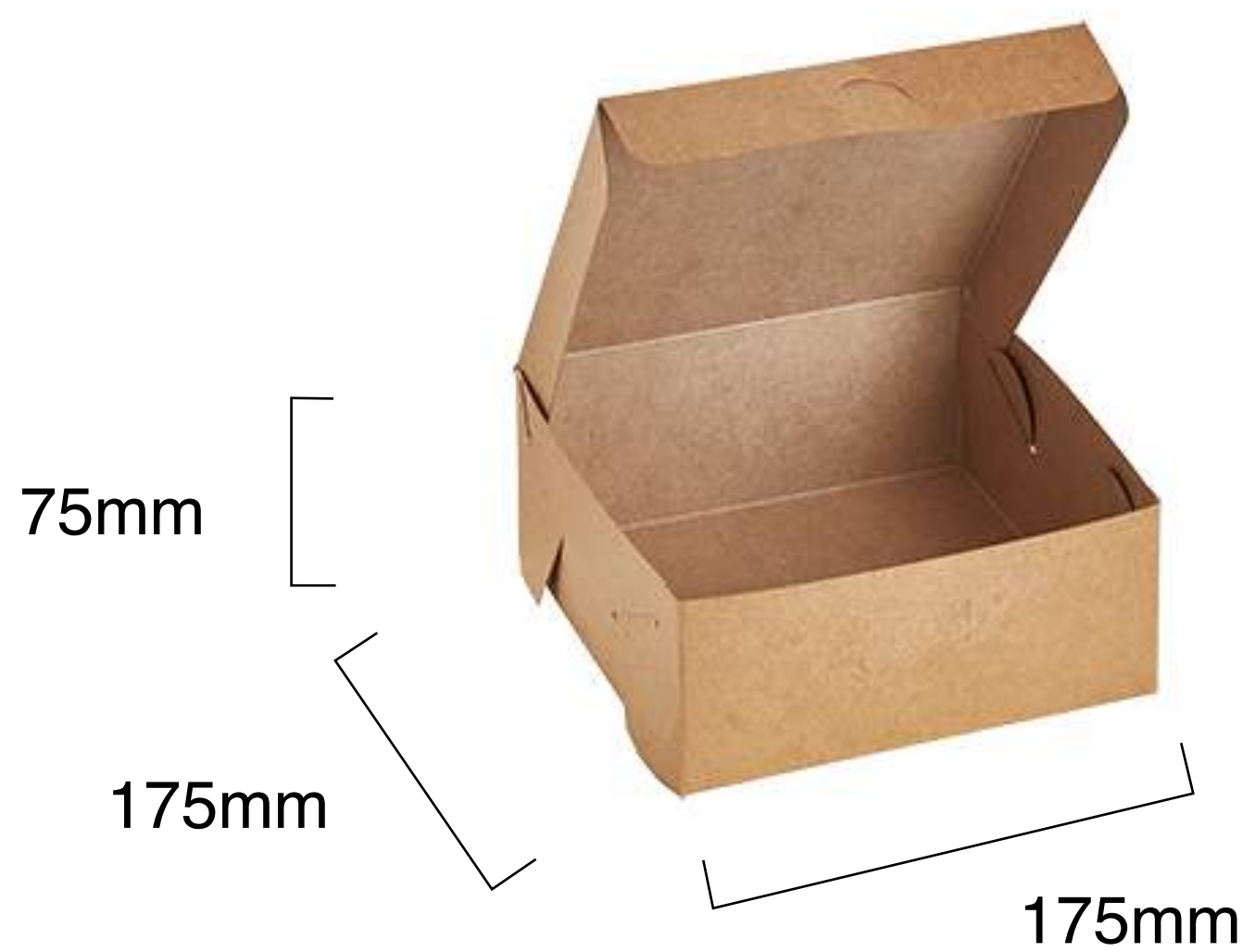




## Medium Kraft Cake Box

<b>SKU:</b>	KCB507P
<b>UNIT WEIGHT:</b>	45g
<b>COMPOSITION:</b>	Sustainable Forestry Initiative certified natural kraft paper, including 15% recycled content. Coated with a natural clay and hardwood fibre mixture which gives an oil and water resistant finish.
<b>FEATURES:</b>	<ul style="list-style-type: none"> <li>• Oil &amp; water resistant</li> <li>• Microwave safe</li> <li>• 100% biodegradable &amp; compostable</li> <li>• 100% renewable</li> <li>• Already constructed and glued in place</li> </ul>
<b>CARTON WEIGHT:</b>	1.3kg
<b>CARTON SIZE:</b>	53cm (l) x 33cm (w) x 1cm (h)
<b>PACKED:</b>	Carton - 25 Units
<b>STORAGE AND TRANSPORT:</b>	Pack to be stored in a dry area at room temperature; elevated off the ground in a well-ventilated area away from direct sunlight.
<b>DISPOSAL INSTRUCTION:</b>	This product is classified as organic waste and compostable in home and commercial composting facilities and worm farms. Recyclable if free of food residues and grease.
<b>FOOD SAFETY CERTIFICATION:</b>	Food grade
<b>COMPOSTABILITY CERTIFICATION:</b>	Made from 100% plant based materials. Will compost in approximately 4 - 12 weeks, depending on conditions.



100% COMPOSTABLE FOOD PACKAGING

 Johannesburg Office  
 124 Koornhof Road  
 Meadowdale  
 1609

 info@greenhome.co.za

 +27 11 453 2286

@GREENHOMESA

www.greenhome.co.za

 Cape Town Office  
 Corner Borchers Quarry  
 & Bahrain Drive  
 Airport Industria, 7490

 info@greenhome.co.za

 +27 21 762 6033